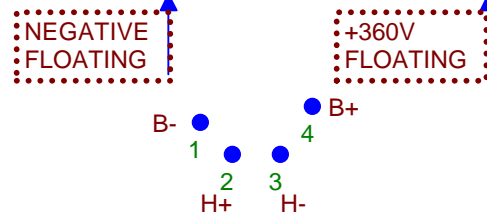
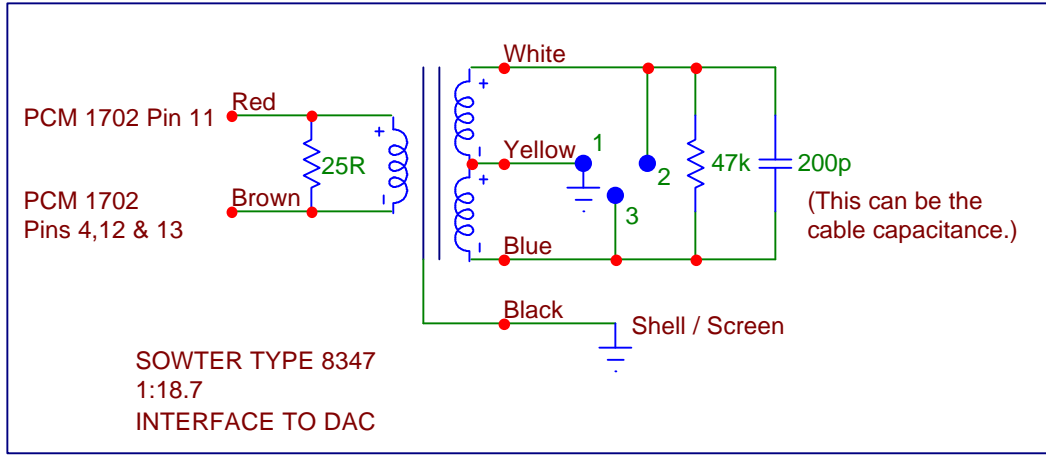
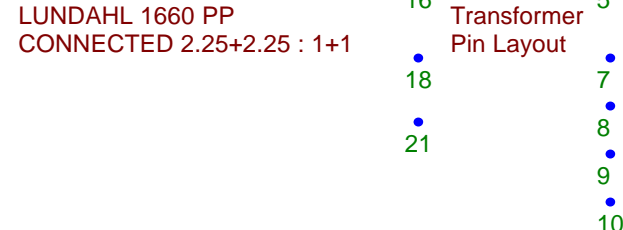


GAIN: XLR in to XLR out 12.5dB
(At Max Attenuator Setting)

XLR input and output leads are hard-wired.
Colours are:
Pin 1; Blue / White
Pin 2; White
Pin 3; Blue.



NEUTRIK 4 PIN UMBILICAL CONNECTION
Channel A & B heaters are in series.



SOWTER TYPE 8347
1:18.7
INTERFACE TO DAC

RECOMMENDED COMPONENTS:
Resistors, Holco metal film;
H8 (1/4W, 0.1%) & H4 (1W, 1%)
*Mills non-inductive WW, MRB-5.
Capacitors, Solen or AEON film.

This document & the information herein
is the sole property of Richard F. Sears
and shall not be used for commercial
purposes without the express written
permission of Richard F. Sears.
(triodeguy@earthlink.net)

Rev. A
2/24/2001

| |
|-----------------------------|
| 6SN7 LINE-STAGE |
| P-P TRANSFORMER COUPLED |
| AUDIO CIRCUIT (Pg 1 of 2) |
| PROGRAM FILES\DATA\6SN7 LIN |
| RICHARD F. SEARS 1/20/2001 |