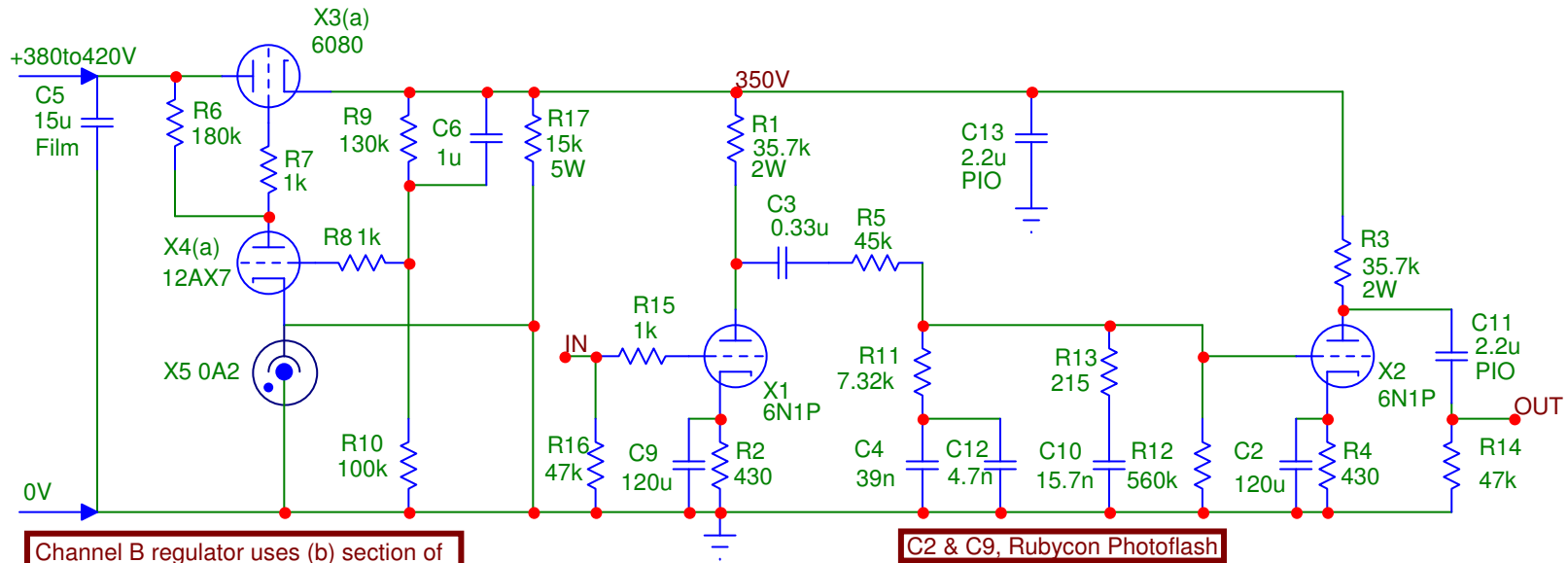


Note:
 I used a 6080 because I have lots of them.
 A 6H30 would be better choice.



Channel B regulator uses (b) section of 12AX7 & 6080.

C2 & C9, Rubycon Photoflash

33db MM Phono Stage

This document and the information herein is the sole property of Richard F. Sears and shall not be used for commercial purposes without the express written permission of Richard F. Sears (triodeguy@earthlink.net)